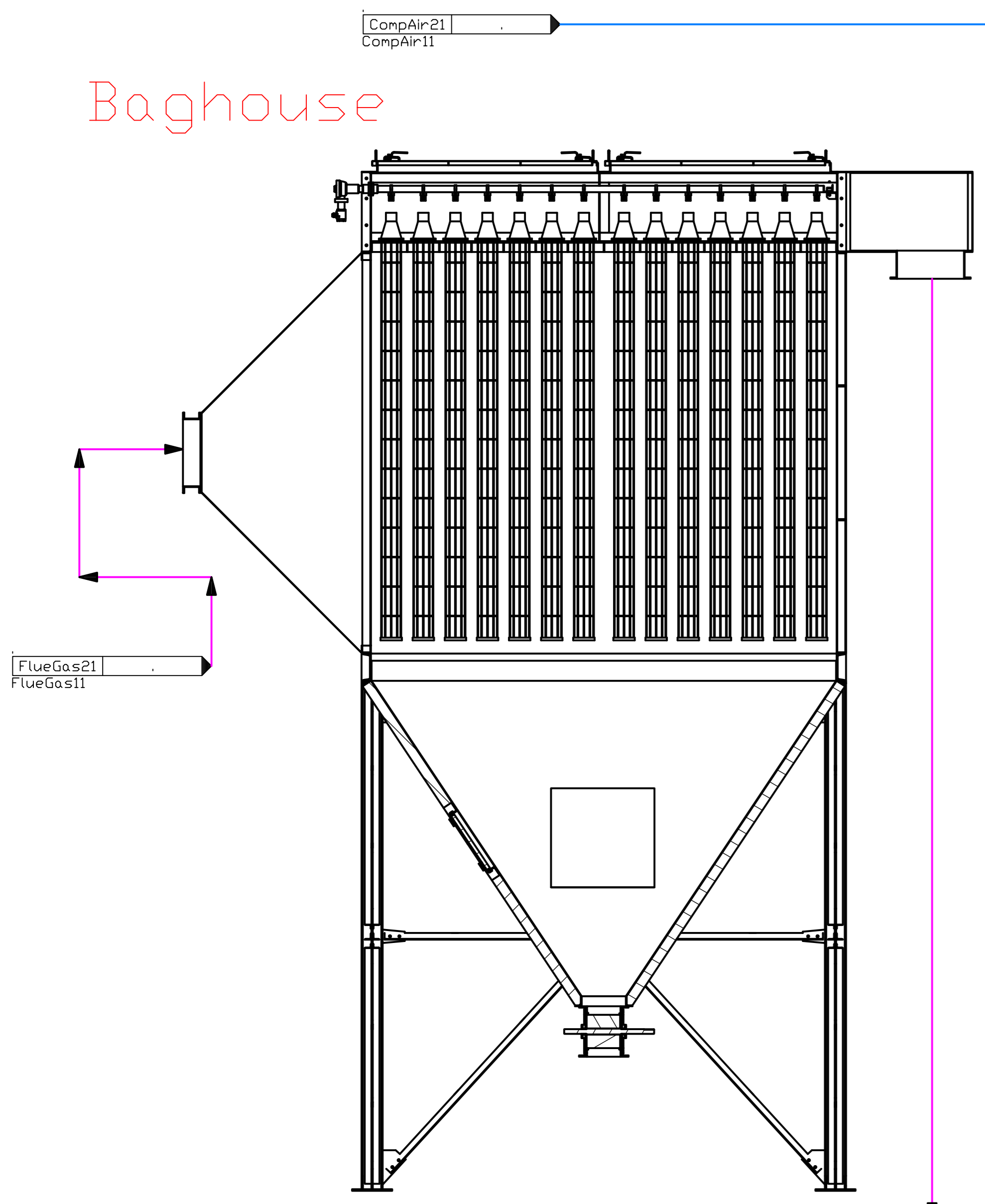
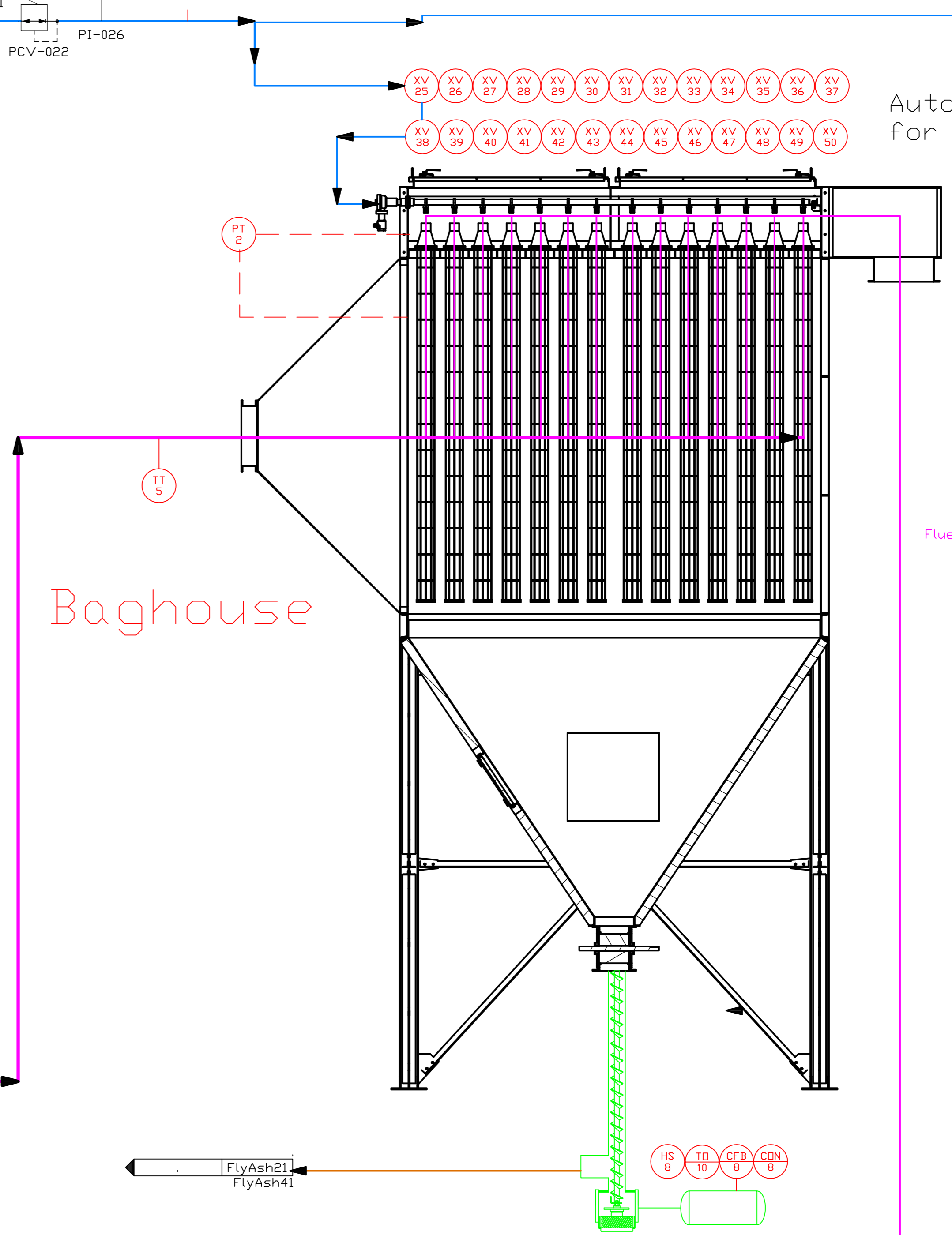


Baghouse



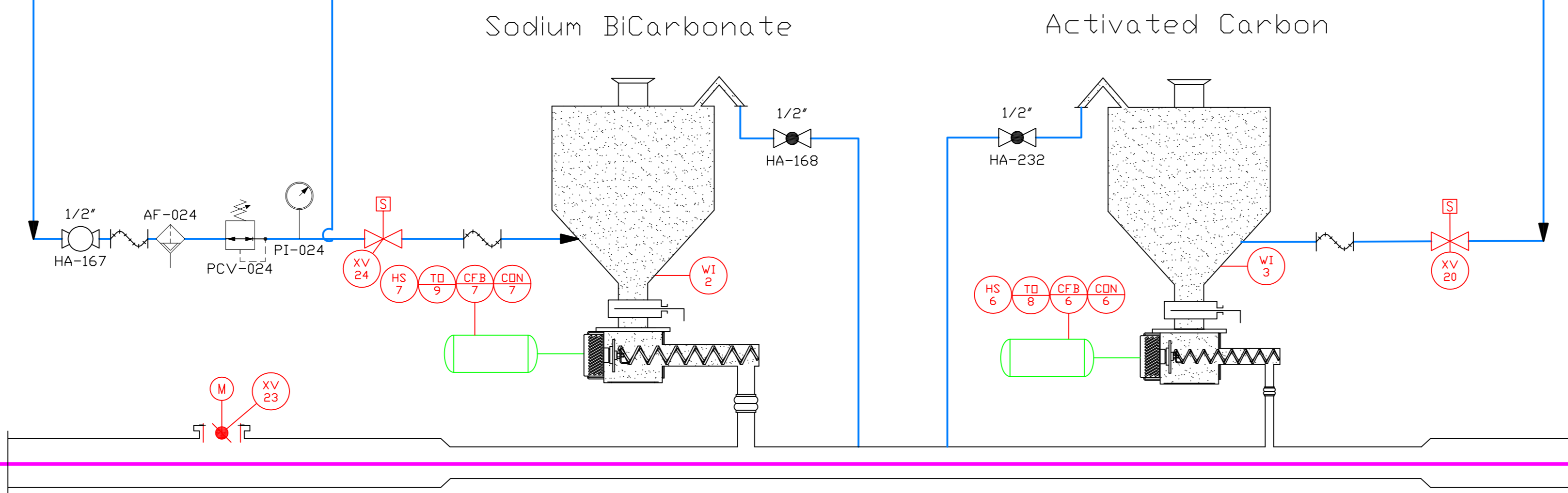
Flue Gas 220°C

Baghouse

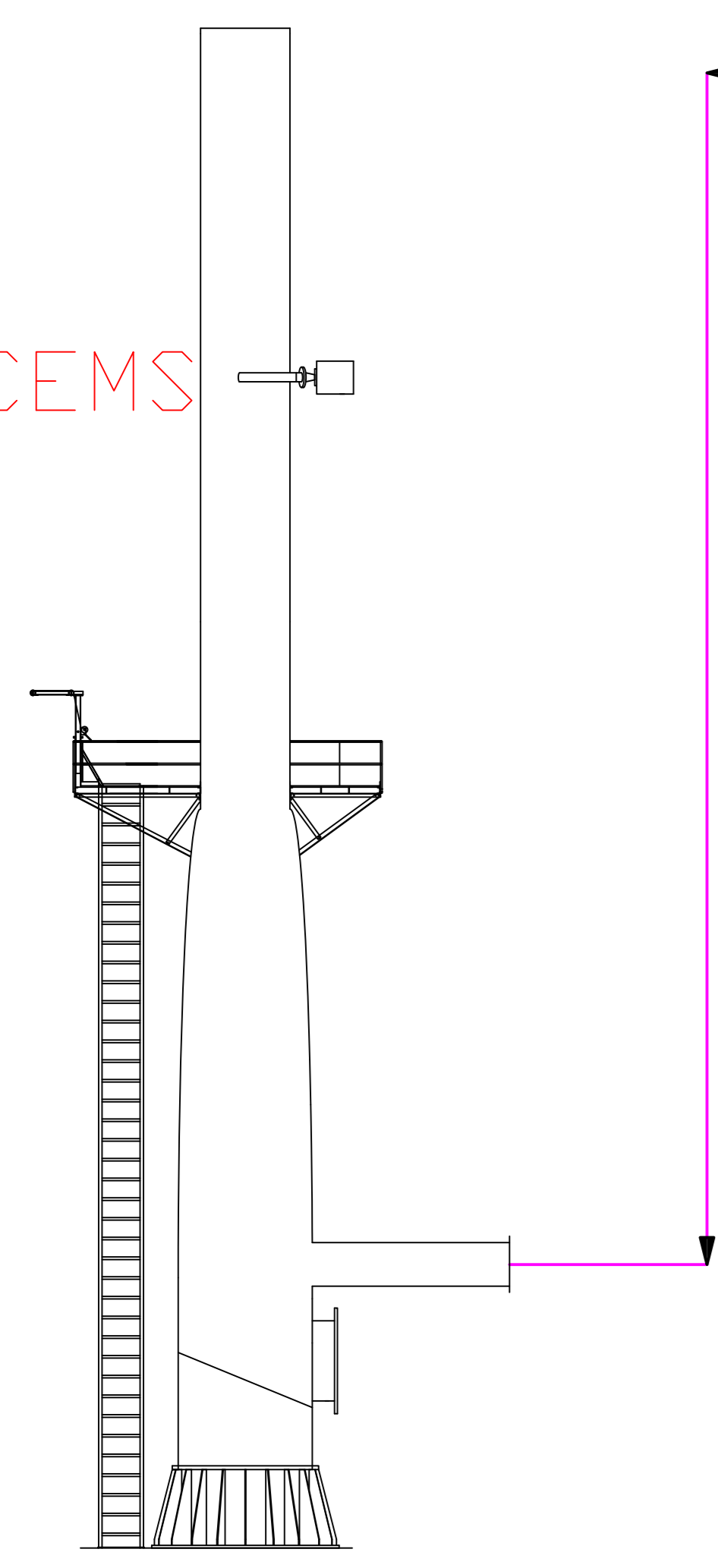


Flue Gas 200°C

Dosing Unit



CEMS

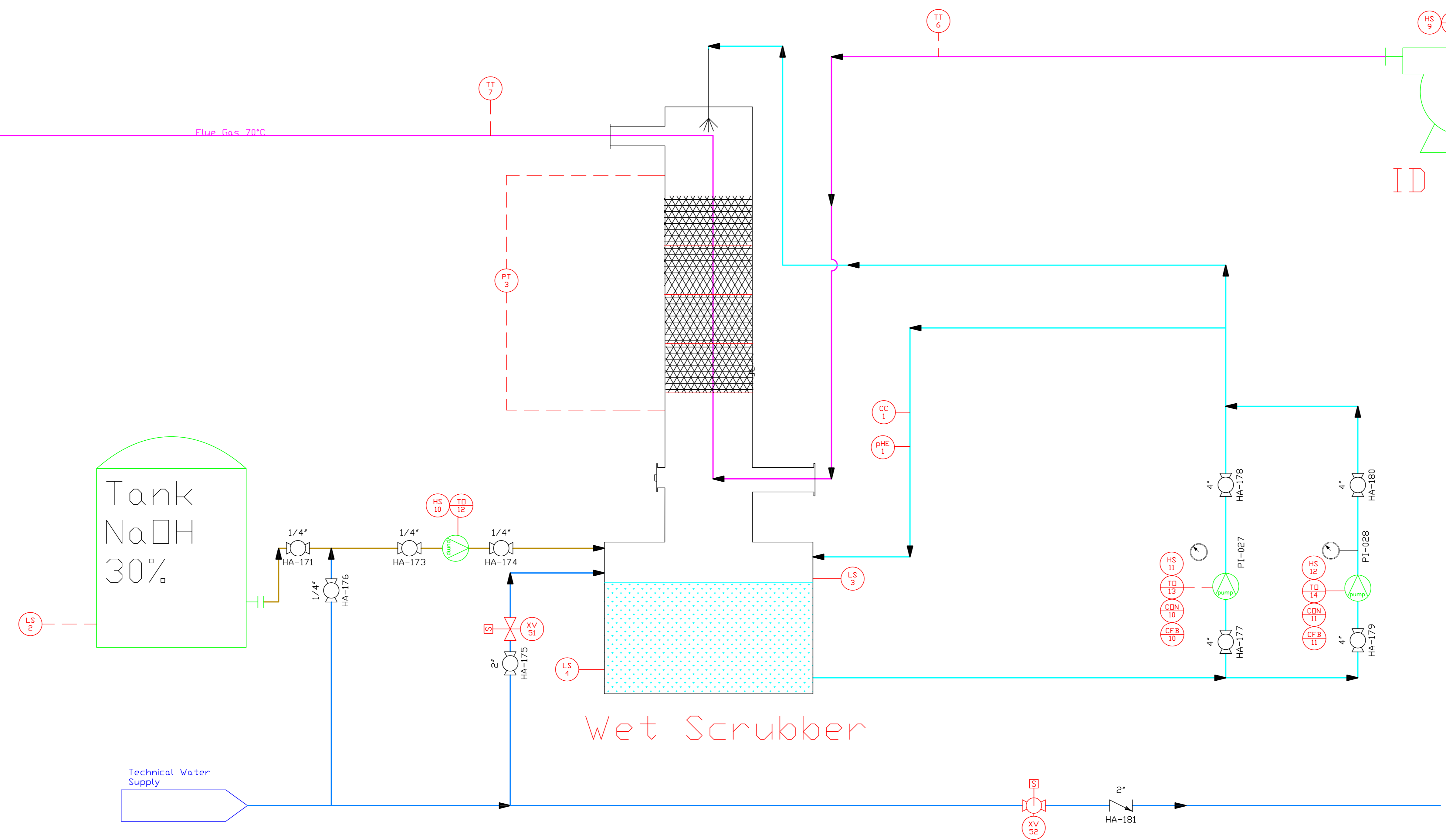


Chimney



Technical Water Supply

Wet Scrubber



ID FAN

Rep	Qty	Designation	Material	Remark
		DESCRIPTION		
NO				DATE
6				
5				
4				
3				
2				
1				
FIRST ISSUE				

BY		DATE	DWG. TITLE
DRAWN			P&ID
CHKD			SCRUBBING
APPR			CLIENT
MODEL			PROJECT No.
SCALE:			DRAWING No.
			REV.

THIS DRAWING IS CONFIDENTIAL AND IS THE PROPERTY OF IGNISS ENERGY AND THEREFORE IT MUST NOT BE COPIED OR DISCLOSED TO ANY THIRD PARTY WITHOUT WRITTEN CONSENT OF IGNISS ENERGY