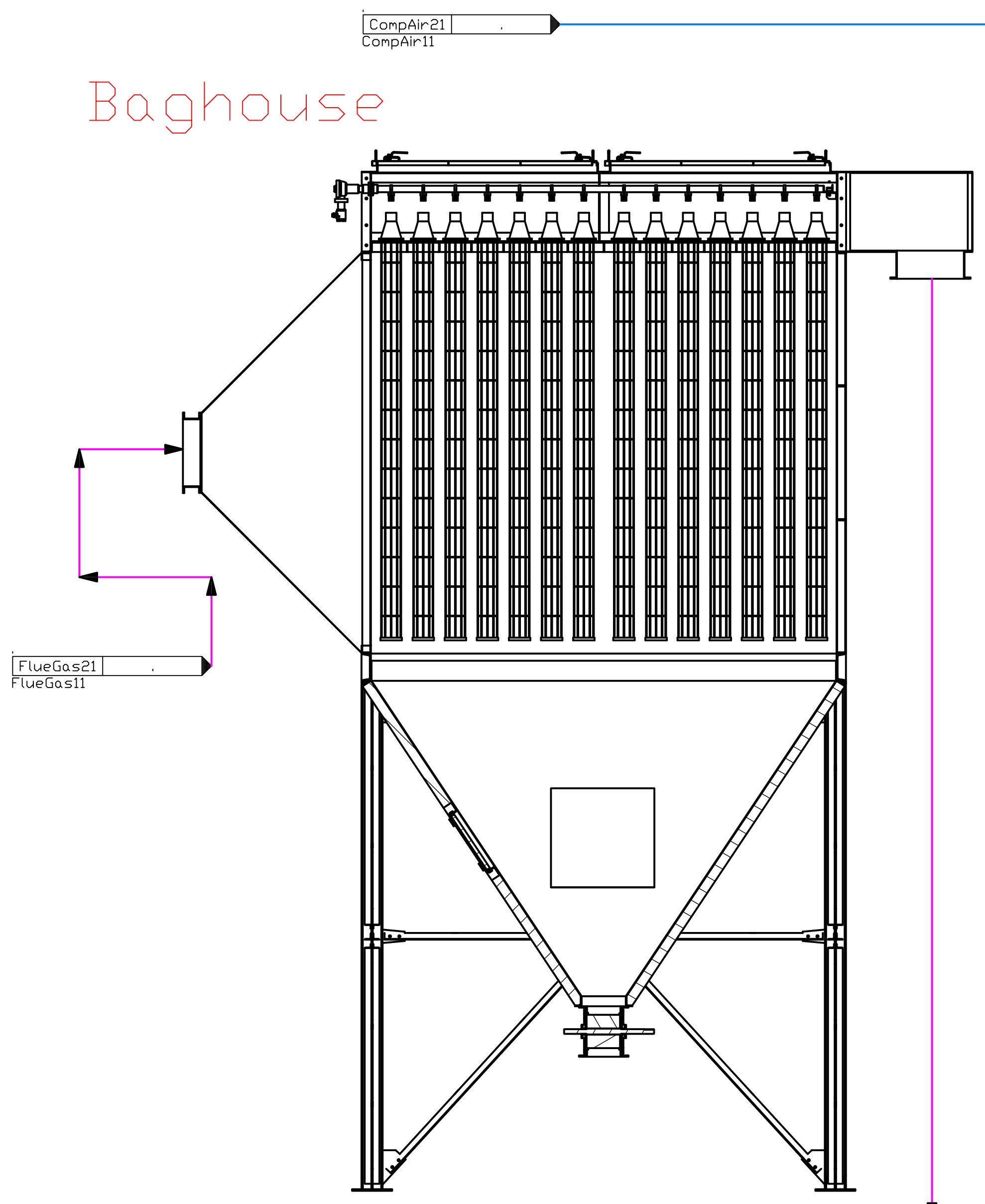
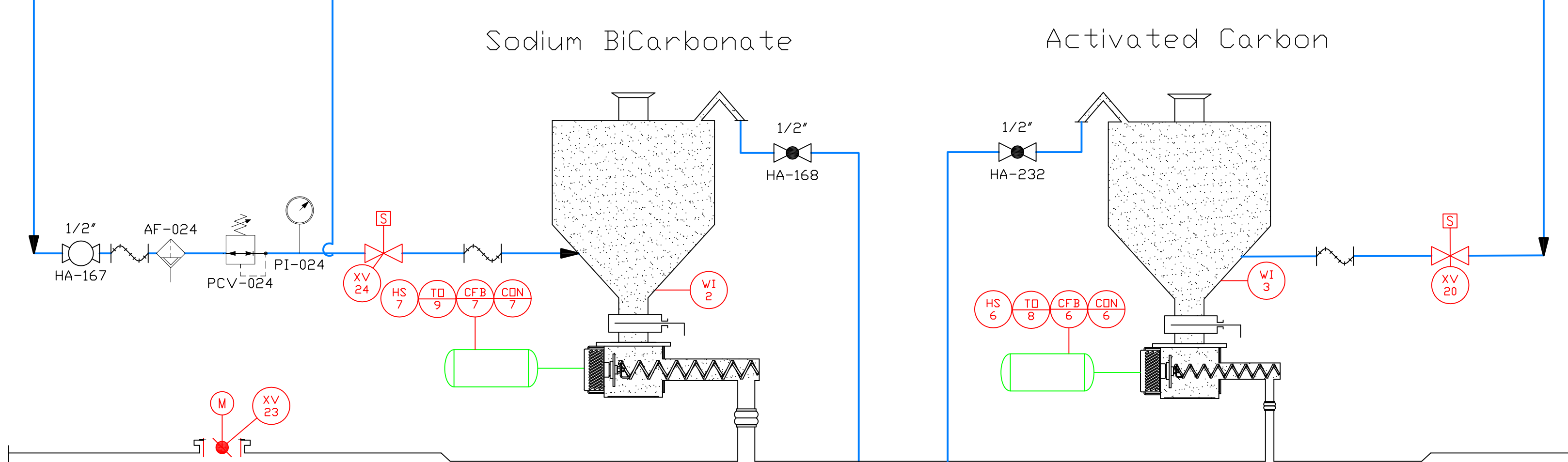


Baghouse



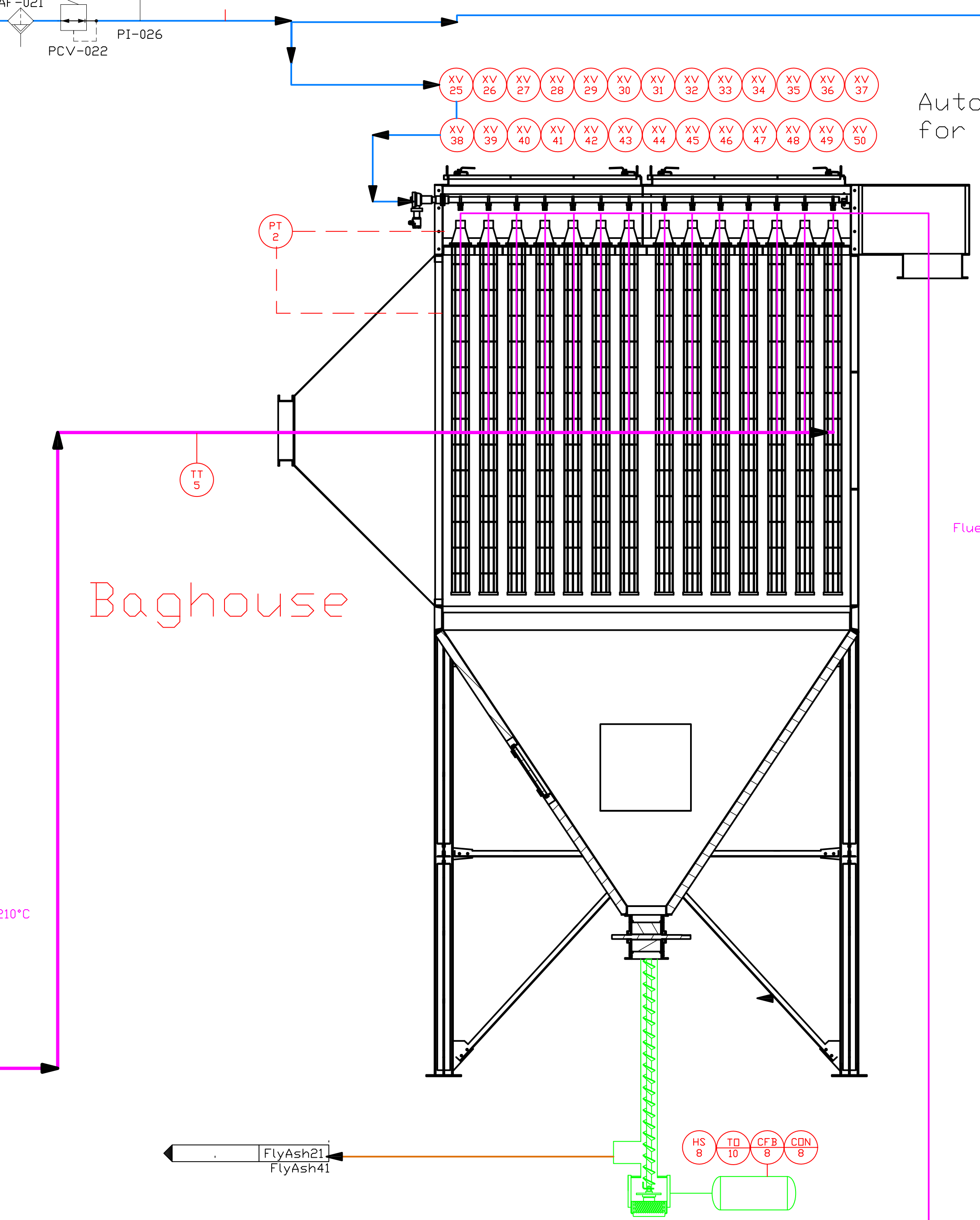
Flue Gas 220°C

Dosing Unit



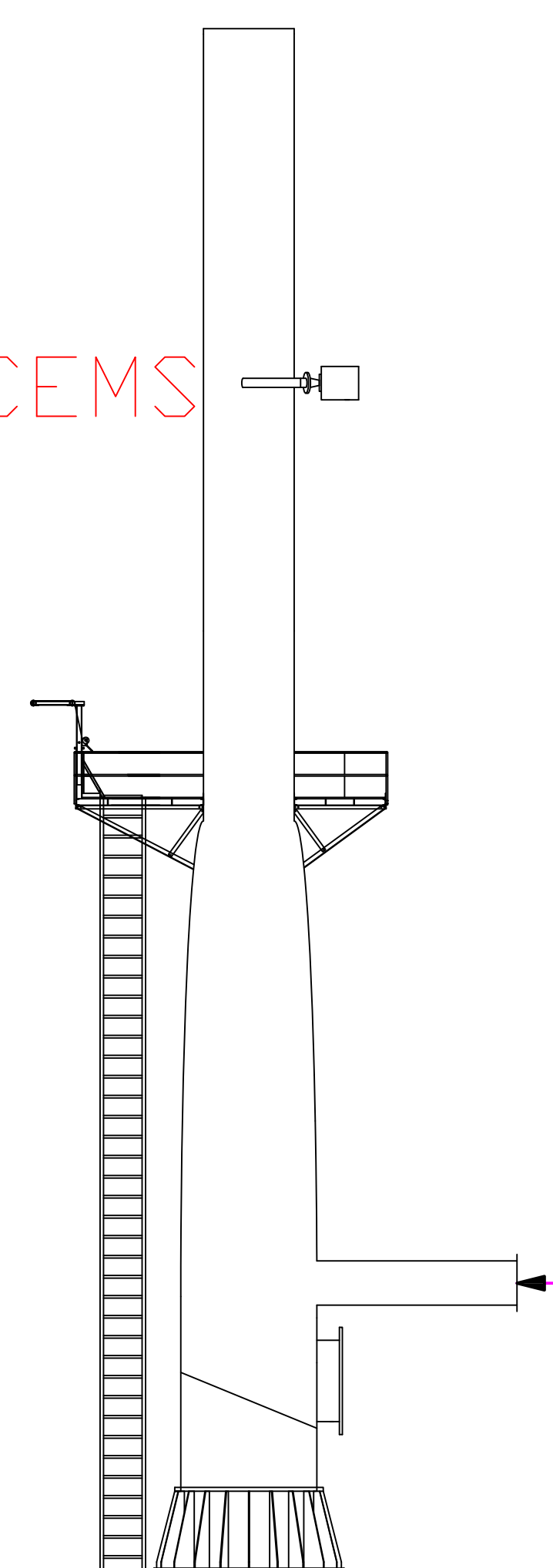
Flue Gas 210°C

Baghouse



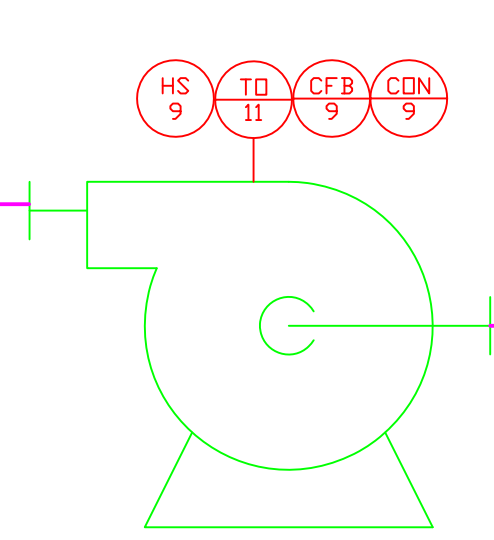
Flue Gas 200°C

CEMS



Chimney

ID FAN



Rep	Qty	Designation	Material	Remark
		DESCRIPTION		
NO				DATE
6				
5				
4				
3				
2				
1				
FIRST ISSUE				

BY		DATE	DWG. TITLE:	
DRAWN			P&ID	
CHKD			SCRUBBING	
APPR			CLIENT	
MODEL			PROJECT No.	DRAWING No.
SCALE:				REV.

THIS DRAWING IS CONFIDENTIAL AND IS THE PROPERTY OF IGNISS ENERGY AND THEREFORE IT MUST NOT BE COPIED OR DISCLOSED TO ANY THIRD PARTY WITHOUT WRITTEN CONSENT OF IGNISS ENERGY.